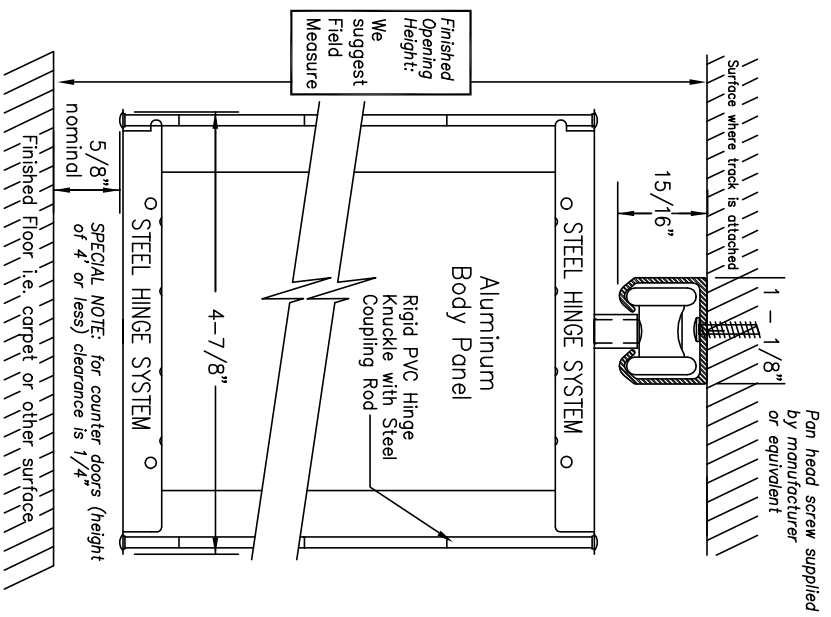
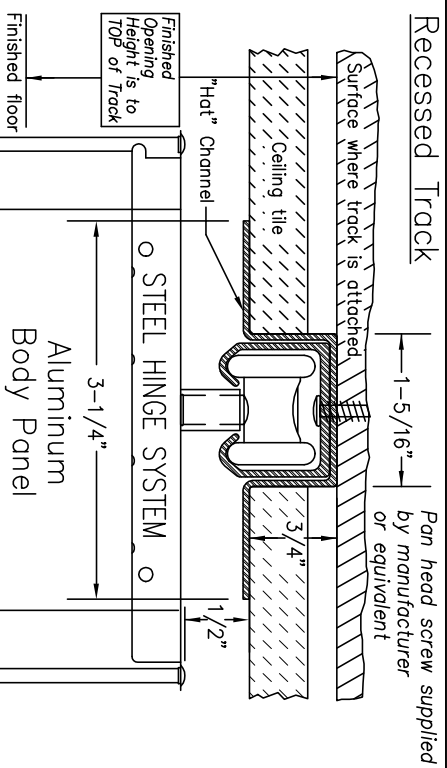


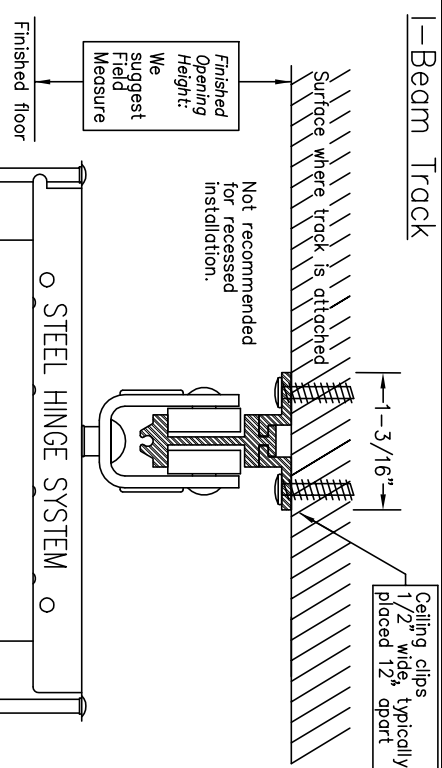
Surface Track



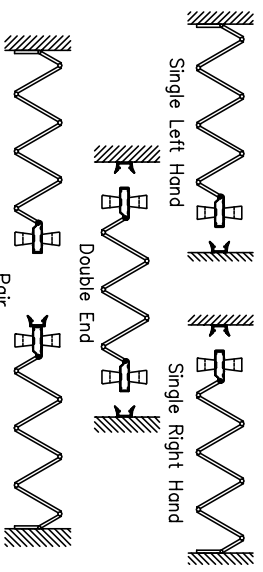
Recessed Track



I-Beam Track

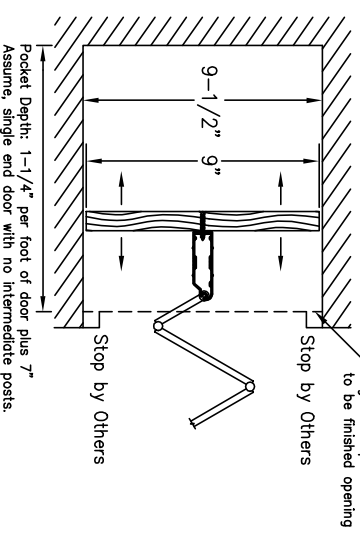


Door Types

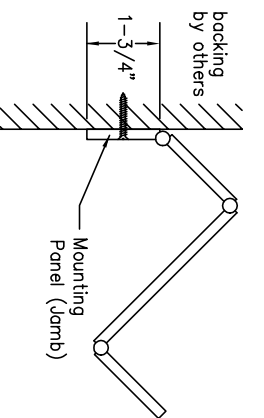


Direction of mounting panel (jamb) varies based on door construction. Consult factory for specific information.

Sliding Jamb Option

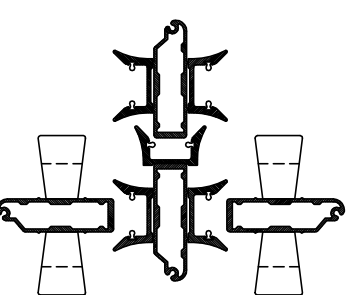


Mounting Panel

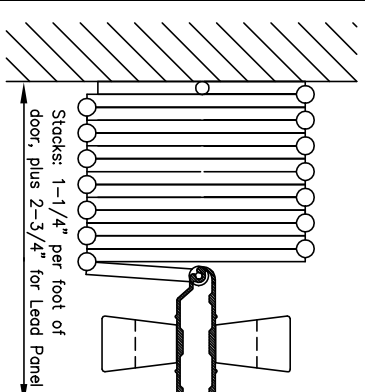


Direction of mounting panel (jamb) varies based on door construction. Consult factory for specific information.

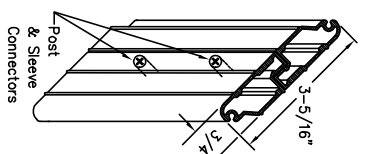
Multiple Meeting Option



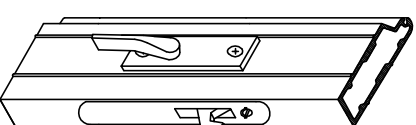
Stack Dimensions



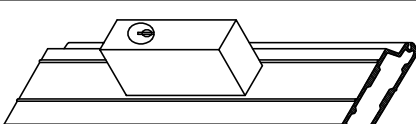
Intermediate Rolling Post



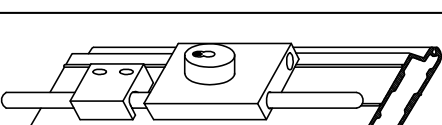
Privacy Latch



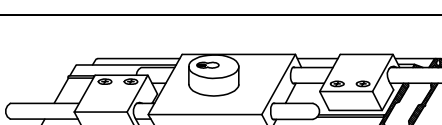
Keylock



Single Cremone Bolt Keylock



Double Cremone Bolt Keylock



INFORMATION

Width: Custom made to any width
 Height: Custom made to 10' - 1"
 Panels: Aluminum: Solid or Perforated
 Side Channel: Aluminum: Clear
 Panel Connector: Rigid Viny: Clear
 Hinge System: Coordinated with side channel
 Wheels: Steel: Clear
 Track: Ball bearing nylon wheels on steel axes
 Recessed Channel/Track: Aluminum (straight or curvable); Clear
 "Hat" Channel: Aluminum (straight only); White
 Lead, Intermediate and Jamb: Aluminum: Clear
 Latch: Deadlatch with Key Lock two sides
 Header: Construction Details by Others
 Door Weight: Average Weight
 Height: 6'-8" 10lbs. Per lined foot
 8'-1" 12lbs. Per lined foot
 10'-1" 15lbs. Per lined foot

See Woodfold Accordion Door brochure for additional details

Catch/Lock Options

Magnet with strike plate
 Privacy Latch
 Springlatch
 Keylock 1 Side
 Key and Single Bolt
 Key and Double Bolt
 Single Cremone
 Double Cremone
 Footbolts
 Other Keyed Options
 Magnet with thumb turn one side
 Springlatch with thumb turn two sides
 Deadlatch with thumb turn one side, keylock one side
 Key and single bolt lock
 Key and double bolt lock
 Single Cremone Bolt with Key Lock
 Double Cremone Bolt with Lock
 Locking or non locking
 Keyed alike, custom keyed, construction core
 Contact manufacturer for more details

Job Name: _____
 Job Location: _____
 Supplier: _____

Architects Acceptance

Qty.	Single/Pair	Single End/Double End	Left or Right Stack	Width X Height	Finish/Color	Comments

THESE SPECIFICATIONS ARE SUBJECT TO CHANGE WITHOUT NOTICE

THESE SPECIFICATIONS ARE SUBJECT TO CHANGE WITHOUT NOTICE

Woodfold—Marco Mfg. Inc.
 P.O. Box 346 Forest Grove, OR. 97116
 http://www.woodfold.com

Phone: 503-357-7181
 Fax: 503-357-7185
 740 SD 6/03