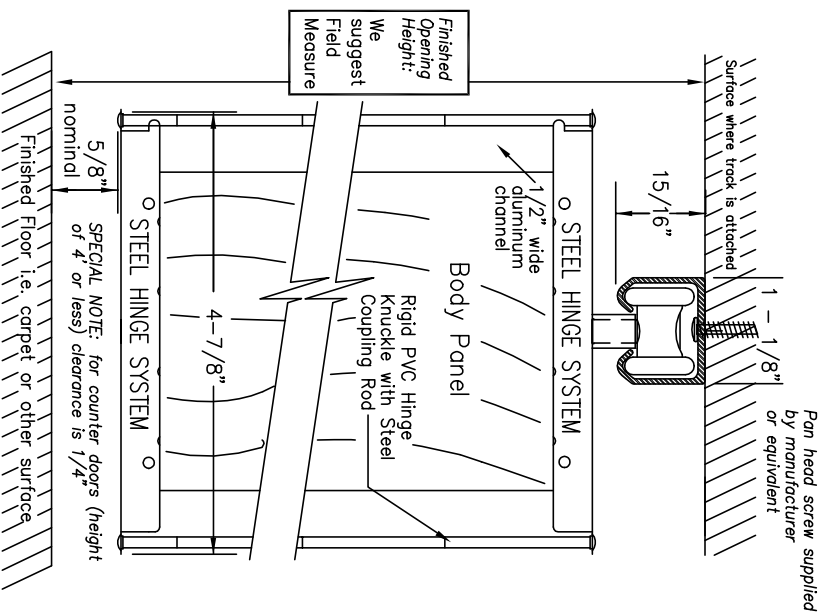
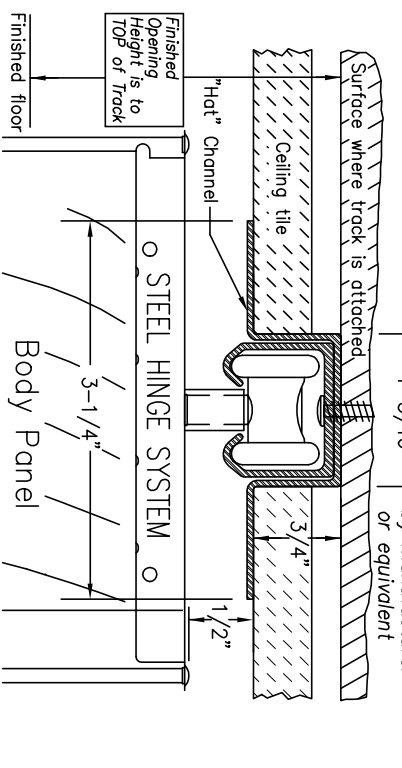


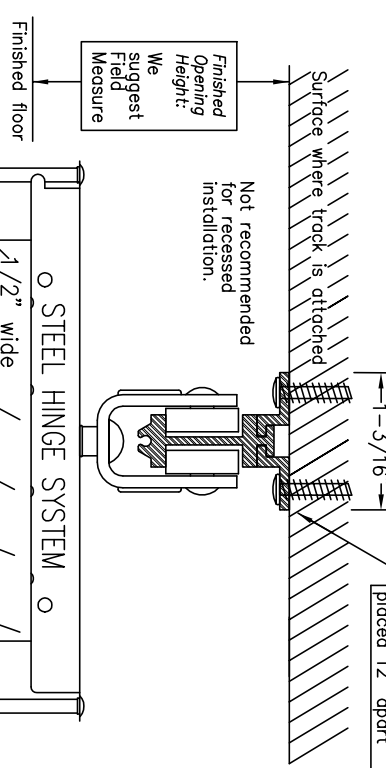
Surface Track



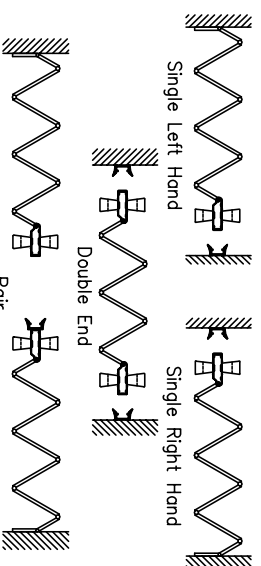
Recessed Track



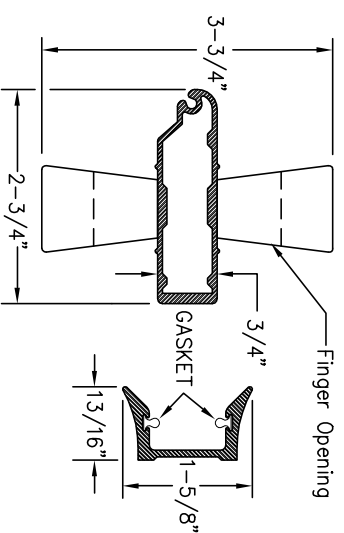
I-Beam Track



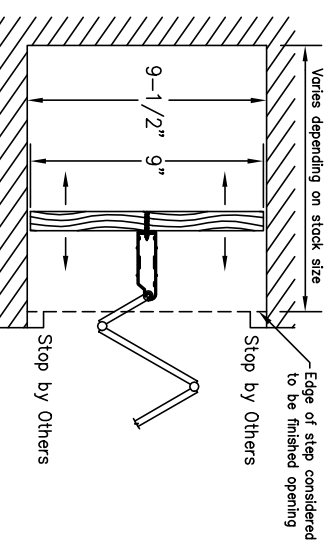
Door Types



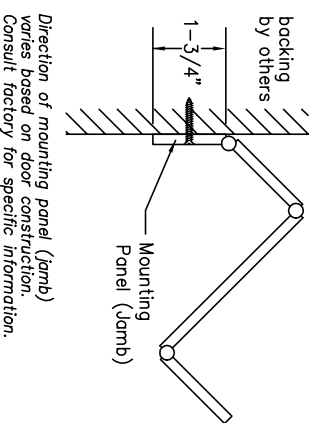
Lead Post



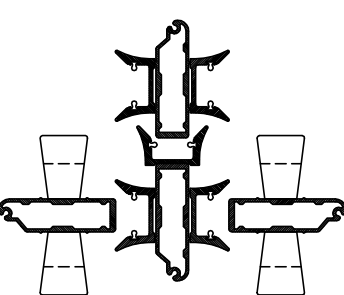
Sliding Jamb Option



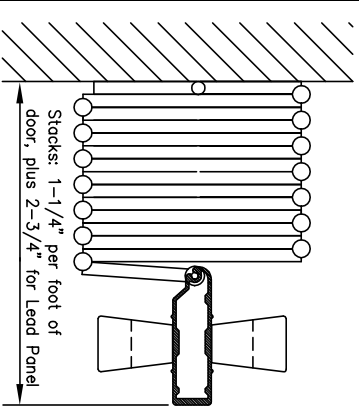
Mounting Panel



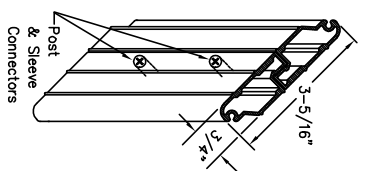
Multiple Meeting Option



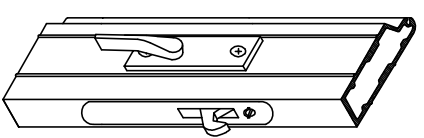
Stack Dimensions



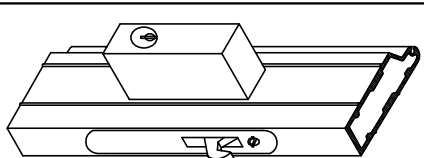
Intermediate Rolling Post



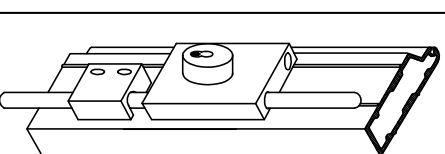
Privacy Latch



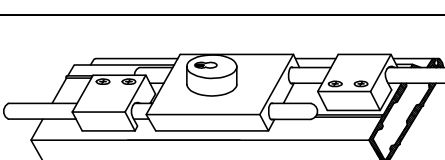
Keylock



Single Cremone Bolt Keylock



Double Cremone Bolt Keylock



INFORMATION

Width: Custom made to any width

Height: Custom made to 10' - 1"

Panels: Acrylic, natural hardwood or vinyl-lam

Side Channel: Aluminum: White, Brown, Sand or Clear; Rigid Vinyl: White, Brown, Sand or Clear

Panel Connector: Coordinated with side channel

Hinge System: Steel: Dark Bronze or Clear; Ball bearing nylon wheels on steel axles

Wheels: Aluminum (straight or curvable); Dark Bronze or Clear

Track: Aluminum (straight only): White

Recessed Channel/"Hot" Channel: Aluminum: White, Brown, Sand or Clear; Coordinated with side channel

Latch: Deadlatch with Key Lock two sides

Header: Construction Details by Others

Door Weight: Average Weight: 6-8" (10lbs. Per lined foot), 8-1" (12lbs. Per lined foot), 10'-1" (15lbs. Per lined foot), 12'-1" (18lbs. Per lined foot)

See Woodfold Accordion Door brochure for additional details

Catch/Lock Options

Magnet with strike plate

Privacy Latch

Springlatch

Keylock 1 Side

Key and Single Bolt

Key and Double Bolt

Single Cremone

Double Cremone

Footbolts

Other Keyed Options

Magnet with thumb turn one side

Springlatch with thumb turn two sides

Deadlatch with thumb turn one side, keylock one side

Key and single bolt lock

Key and double bolt lock

Single Cremone Bolt with Key Lock

Double Cremone Bolt with Lock

Locking or non locking

Keyed alike, custom keyed, construction core

Contact manufacturer for more details

Job Name: _____

Job Location: _____

Supplier: _____

Architects Acceptance

| Qty. | Single/Pair | Single End/Double End | Left or Right Stack | Width X Height | Finish/Color | Comments |
|------|-------------|-----------------------|---------------------|----------------|--------------|----------|
| | | | | | | |
| | | | | | | |
| | | | | | | |

THESE SPECIFICATIONS ARE SUBJECT TO CHANGE WITHOUT NOTICE

THESE SPECIFICATIONS ARE SUBJECT TO CHANGE WITHOUT NOTICE

Woodfold-Marco Mfg. Inc.
P.O. Box 346 Forest Grove, OR. 97116
http://www.woodfold.com

Phone: 503-357-7181
Fax: 503-357-7185
540 SD 3/00